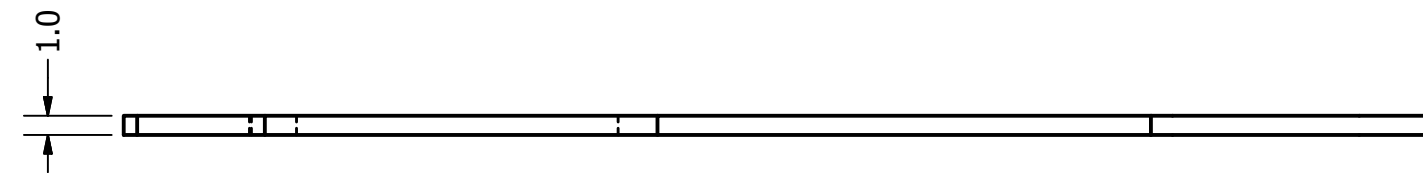
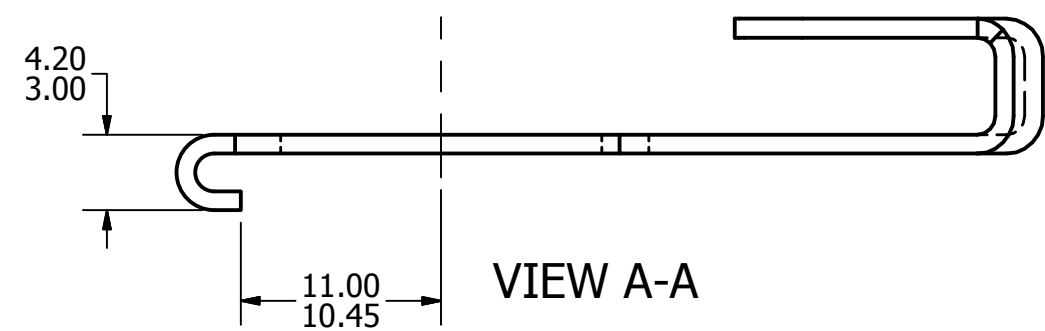
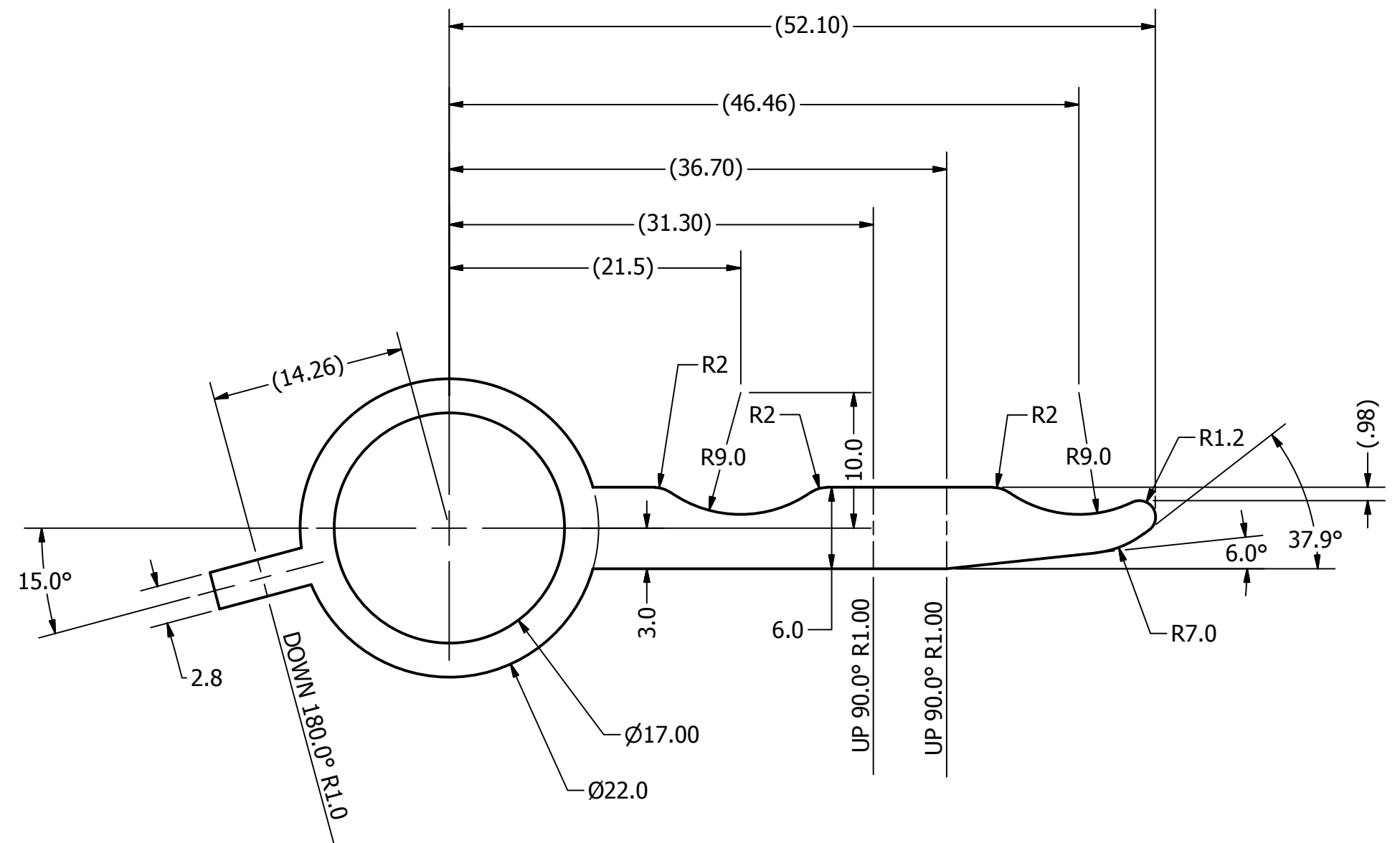
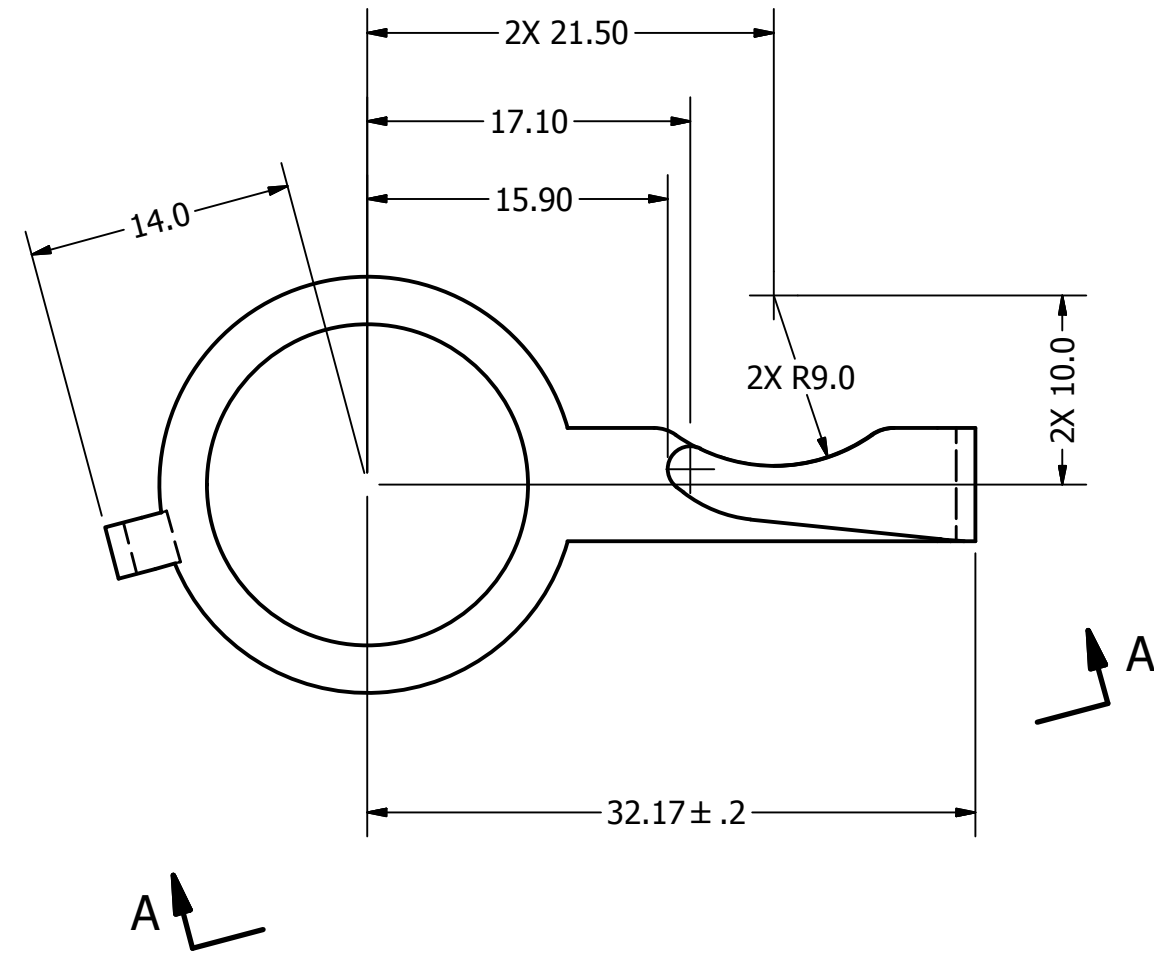
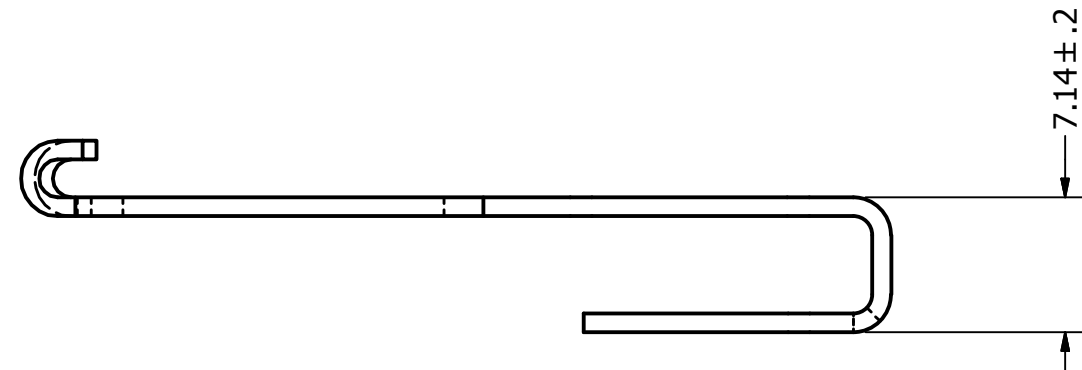
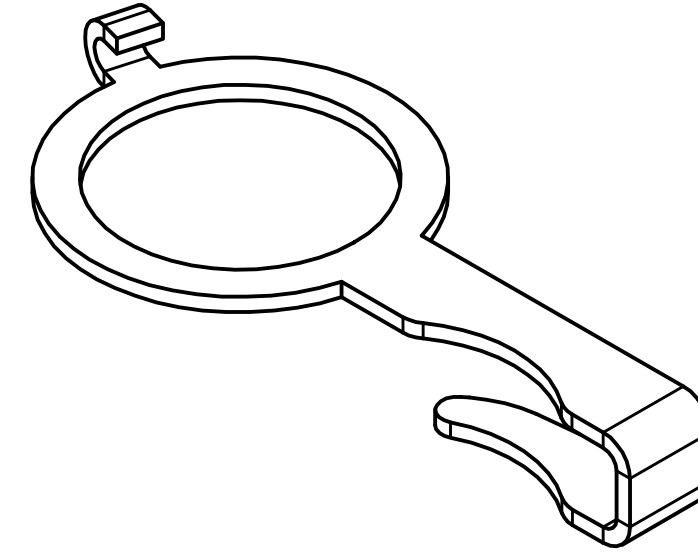


- NOTES:
1. MATERIAL: STAINLESS STEEL SHEET
  2. ASSOCIATED CAD FILE: FingerStop.STP
  3. SURFACE FINISH: POLISHED
  4. SHARP EDGES TO BE SOFTENED
  5. SAMPLE AVAILABLE

REVISION HISTORY				
ZONE	REV	DESCRIPTION	DATE	APPROVED
	0	INITIAL RELEASE	12/28/2020	J. HAUPT



ENGINEER  
Justine Haupt 12/28/2020

**SKY'S EDGE**  
www.skysedge.us

(631) 965-3409  
justine@skysedge.us

ALL UNITS IN MM  
DECIMAL TOLERANCES:  
X = ±.50  
X.X = ±.30  
X.XX = ±.16  
X.XXX = ±.08

**FINGER STOP**

ALL SURFACES  
Ra µm .8  
UNLESS OTHERWISE NOTED

SIZE C	PROJECT	DWG NO RUSPFS	REV 0
-----------	---------	------------------	----------