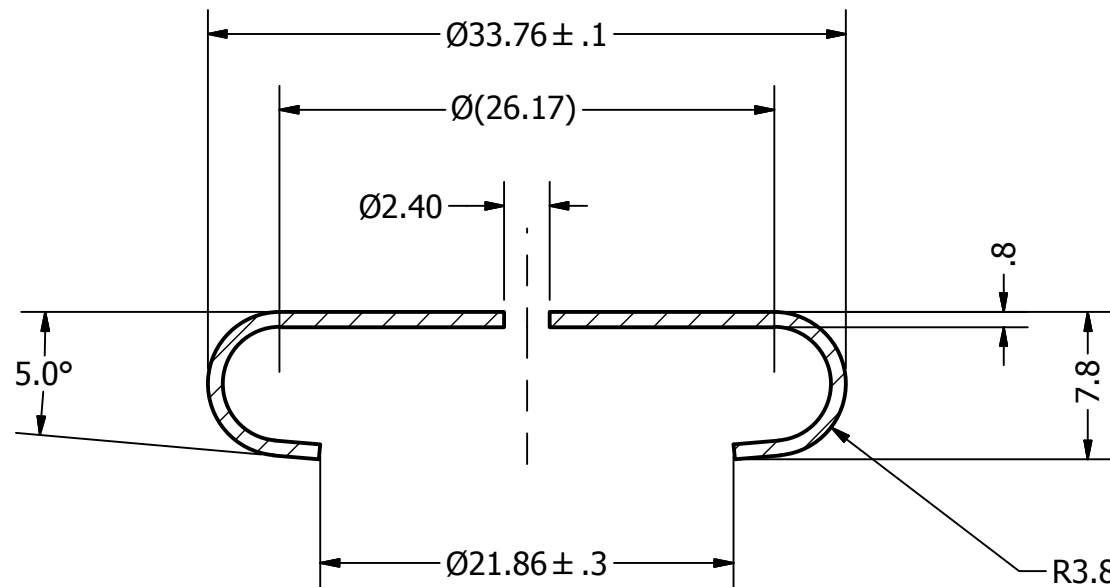
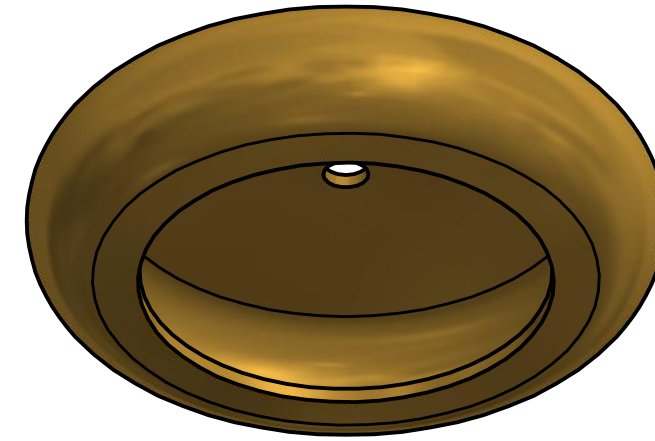
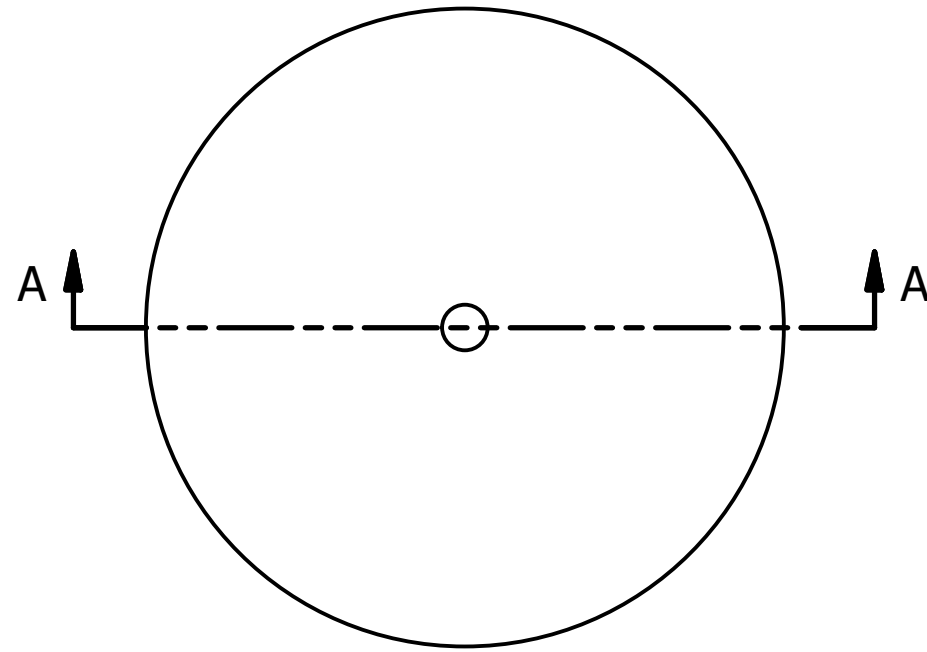



NOTES:

- 1. MATERIAL: BRASS
- 2. ASSOCIATED CAD FILE: Bell.STP
- 3. SURFACE FINISH: POLISHED

REVISION HISTORY				
ZONE	REV	DESCRIPTION	DATE	APPROVED
	0	INITIAL RELEASE	12/28/2020	J. HAUPT



SECTION A-A

ENGINEER Justine Haupt		12/28/2020				(631) 965-3409 justine@skysedge.us	
ALL UNITS IN MM DECIMAL TOLERANCES: X = ±.50 X.X = ±.30 X.XX = ±.16 X.XXX = ±.08				<b>BELL</b>			
ALL SURFACES Ra µm <b>.8</b> ✓ <small>UNLESS OTHERWISE NOTED</small>							
SIZE <b>B</b>	PROJECT	DWG NO RUSPB	REV 0				